

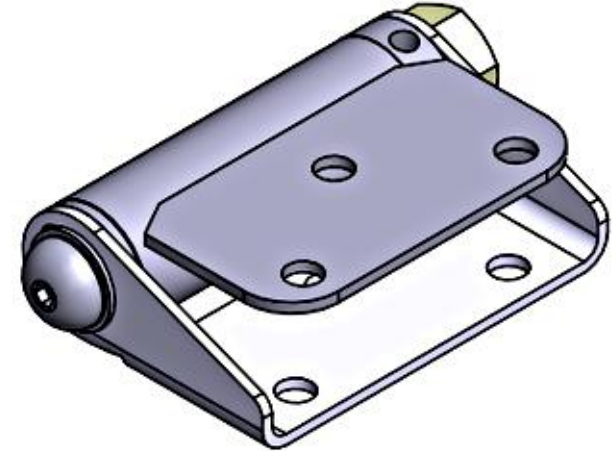
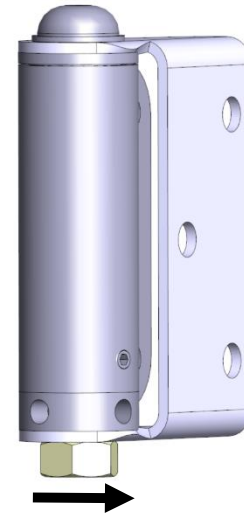


## SPECIFICATIONS:

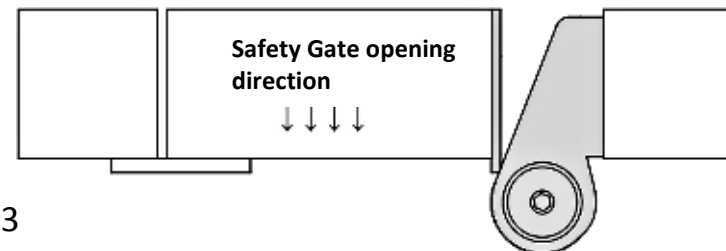
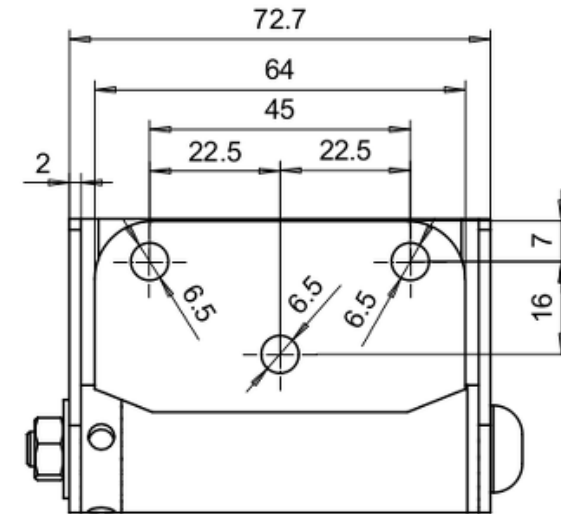
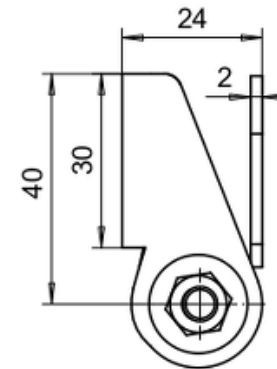
- Spring-loaded hinge attached to the hinged edge of the port remains port to be closed by spring force.
- Product Code: 201
- Material: AISI 304, all the parts.
- Bearings: Brass
- Adjustable spring force (spring from stainless steel - spring steel)
- The spring is locked into the set position with the screw

## INSTALLATION INSTRUCTIONS:

- The hinge is mounted between the frame and the port (See illustration on the bottom of the page)
- The hinge is fitted in before the spring adjusting.
- For the critical applications spring adjuster has to be installed downside.
- Once both hinges are in place, apply an appropriate spring tension with the consideration of the gate weight and desired smoothly closing.
- The spring can be adjusted by 4 mm pin placed into oblong holes of the spring adjuster.
- Spring have to be tighten into the direction of the arrow, regardless of on which side the gate will be installed.
- When the final tension is reached, lock the spring by the screw.
- In critical applications using a threadlocker is a must!
- In applications where the spring tension can be determined with certainty, hinges can be preset at the manufacturing stage.



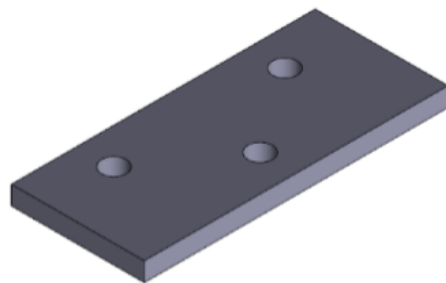
**Spring adjusting direction**





## INSTALLATION INSTRUCTIONS:

- Material: stainless steel Fe 52, s = 5mm
- On separate order AISI 304/ AISI 316 for an additional price
- Install bottom plates first by welding them to the frame and the port
- Then attach the hinge to the base plate with M6 screws



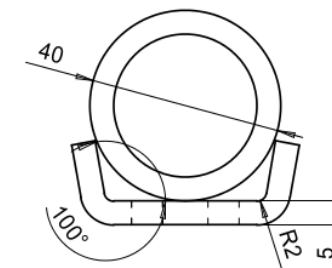
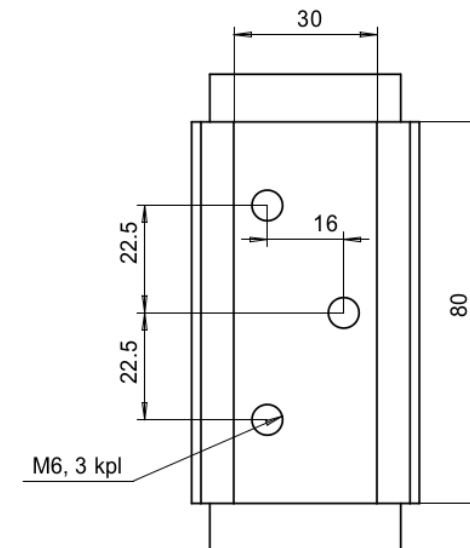
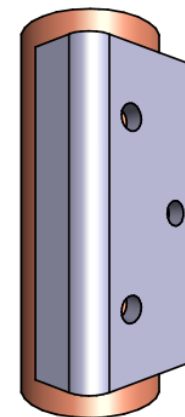
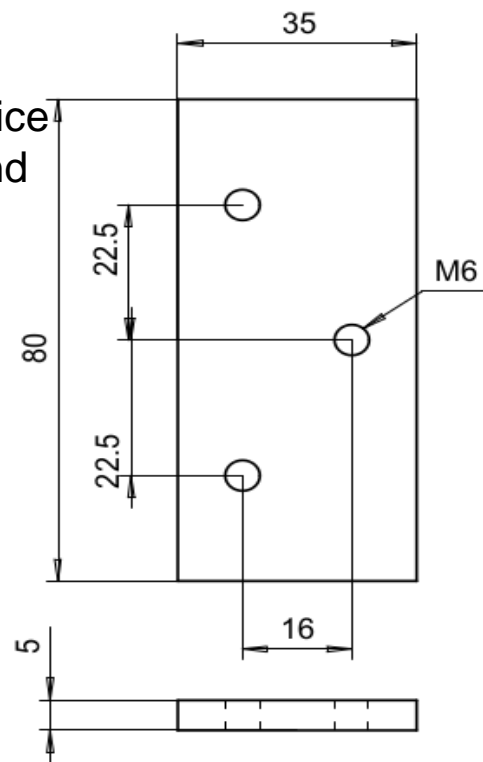
### Price:

Base Plate: 3.7 € Incl. 24% or 3 € VAT. 0%

Curved bottom plate: 5 € Incl. 24% or 4 € vat. 0%

9.7.2015 ER

Tampereen Erikoissarana Oy  
Ahertajankatu 3  
33720 Tampere



Puh. +358 (0)3 317 3853  
info@finnhinge.com

[www.tampereenerikoissarana.fi](http://www.tampereenerikoissarana.fi)  
[www.finnhinge.com](http://www.finnhinge.com)