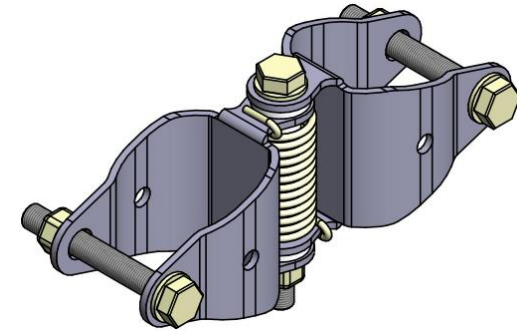


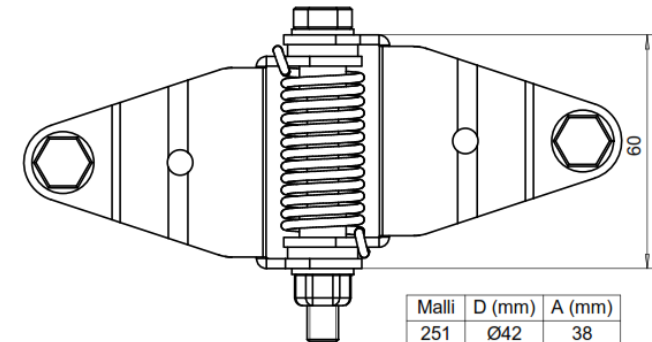
TECHNICAL INFORMATION:

- Spring hinge that closes the safety gates by the spring force.
- Designed specially for 32 mm, 42mm or 48 mm railing pipes and safety gates
- Also suitable for pipes of a diameter close to the listed above
- Material: Aisi 316
- Bearings: POM
- Teflon bearings can be ordered for use in difficult conditions
- The spring tension is not adjustable
- Can be ordered electrogalvanized or hot-dip galvanized
- Can be ordered for some rectangular pipes and combinations of pipe and rail of different sizes (see table on the next page).

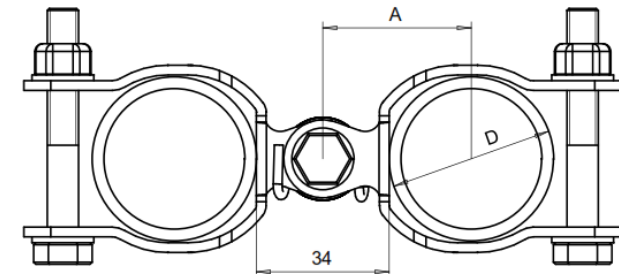


INSTALLATION INSTRUCTIONS:

- The hinge is installed between the railing pipe and the safety gate.
- Before installing the hinge, please check that the safety gate closing direction and install the hinge so that the spring force would close the gate.
- The same hinge can be installed on either side of the gate.
- First the hinge is placed in the desired spot against the pipe, after which it can be tightened with a nut with a help of a cordless screwdriver.
- The tightening process can be made easier by using a long nut and replacing it with a new Nyloc nut afterwards; the tightening may cause the tightening nut to seize.
- Applying a small amount of lubricant to the screw thread makes the installation easier and reduces the risk of the nut seizing.
- To further ensure that the hinge stays in place, attach it to the pipe by the 6,5 mm. hole in the wing with the thread cutting set screw enclosed in the package.
- The recommended position of the hinge is nut down, as shown in the picture.



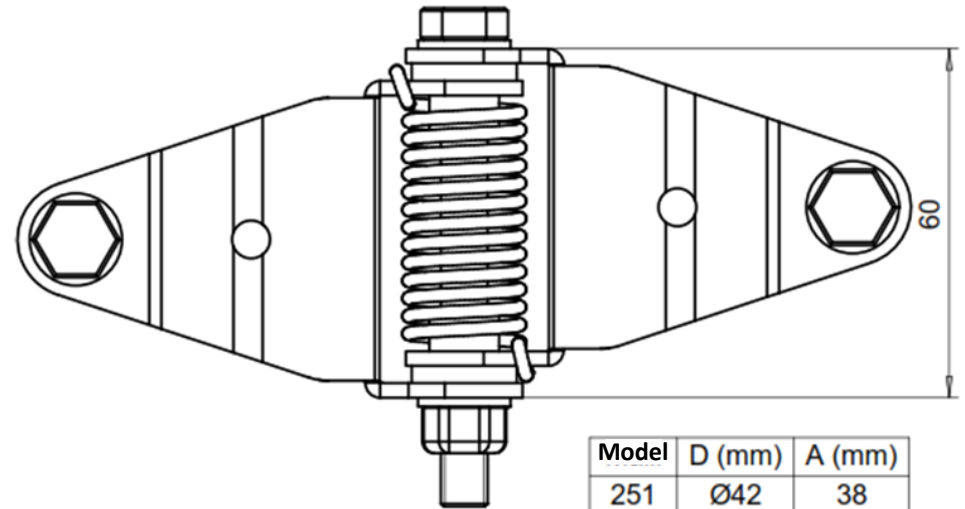
Malli	D (mm)	A (mm)
251	Ø42	38
252	Ø32	33
253	Ø48	41



9.1.2018 DS

SPRING HINGE FOR PIPE SAFETY RAILING AND GATES – 251, 252 and 253

Model	D (mm)	A (mm)	Aisi 316	EG	HDG
251	40-42	38	●	●	●
252	30-32	33	●	○	○
253	48-52	41	●	○	○



Model	D (mm)	A (mm)
251	Ø42	38
252	Ø32	33
253	Ø48	41

